

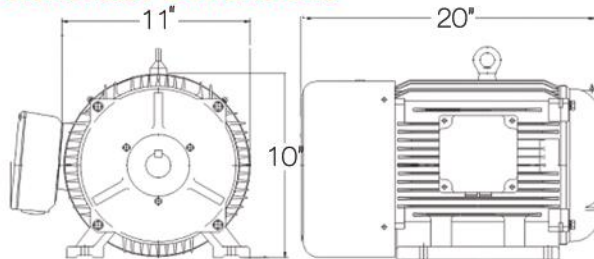


10 HP Rotary Phase Converter Precision Balanced Voltage Single to Three Phase Converter

General Specifications

Horsepower:	10 hp
Kilo-watt (kw):	7.5
Frequency (Hz):	50/60
Generator Enclosure:	TEFC
Generator Frame:	215T

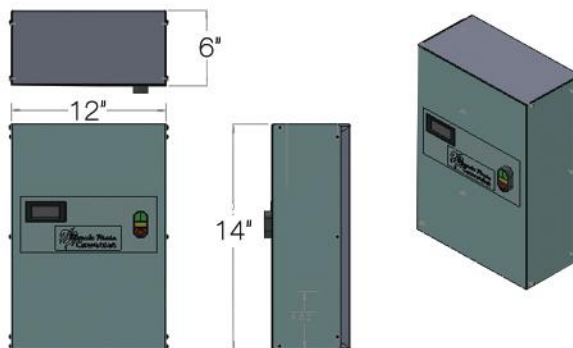
Generator Dimensions



Single Phase Electrical Specs

Voltage Input:	230 - 460
Min. Fuse Size:	20 - 10
Min. Circuit Breaker:	20 - 10
Max. Fuse Size:	50 - 25
Max Circuit Breaker:	50 - 25
Minimum Size Transformer:	15 KVA
Minimum Wire Size	6 - 8 AWG

Panel Dimensions



Three Phase Electrical Specs

Voltage Output:	208 to 250
Output Amperage:	28 - 14
Voltage Balance:	2-5%
Minium Wire to Generator:	10 - 10 AWG
Minimum Wire to Load:	based on load
Max Resistive Amps:	14 - 7

Dimensions and weights

Generator	184 lbs
Generator Dimensions	20x11.5x10.6
Panel Weight:	19 lbs
Panel Dimensions (LxWxD) inches:	14x12x6
Panel Color:	Blue-Gray

Options;

- Push Button Start
- Nema 3R Panel
- Voltmeter Display
- Digitally Protected

Standard;

- CNC Precision Balanced Voltage
- Totally Enclosed Fan Cooled Generator
- Cast Iron
- Custom Panel Enclosure
- Intergrated Soft Starting
- VPI Windings and inverter Rated.
- Sealed Ball Bearings
- 10 Year Warranty
- 24/7 Customer Support

Sales and Support
800-417-6568