

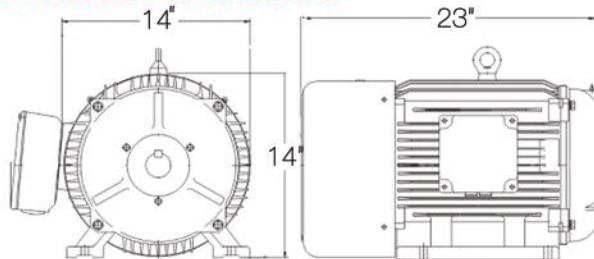


15 HP Rotary Phase Converter Precision Balanced Voltage Single to Three Phase Converter

General Specifications

Horsepower:	15 hp
Kilo-watt (kw):	11.2
Frequency (Hz):	50/60
Generator Enclosure:	TEFC
Generator Frame:	254T

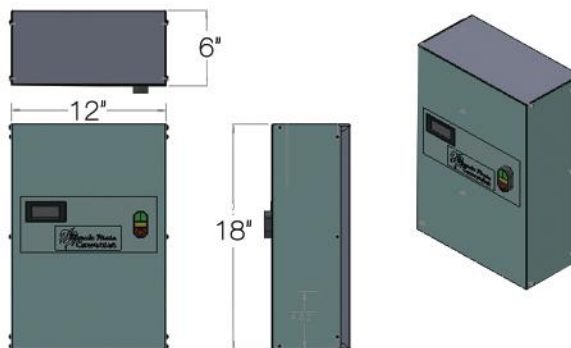
Generator Dimensions



Single Phase Electrical Specs

Voltage Input:	230 - 460
Min. Fuse Size:	30 - 15
Min. Circuit Breaker:	30 - 15
Max. Fuse Size:	80 - 40
Max Circuit Breaker:	80 - 40
Minimum Size Transformer:	25 KVA
Minimum Wire Size	4 - 6 AWG

Panel Dimensions



Three Phase Electrical Specs

Voltage Output:	230 - 460
Output Amperage:	42 - 21
Voltage Balance:	2-5%
Minimum Wire to Generator:	8 - 8 AWG
Minimum Wire to Load:	based on load
Max Resistive Amps:	22 - 11

Dimensions and weights

Generator	355 lbs
Generator Dimensions	23x14x14
Panel Weight:	28 lbs
Panel Dimensions (LxWxD) inches:	18x12x6
Panel Color:	Blue-Gray

Options;

- Push Button Start
- Nema 3R Panel
- Voltmeter Display
- Digitally Protected

Standard;

- CNC Precision Balanced Voltage
- Totally Enclosed Fan Cooled Generator
- Cast Iron
- Custom Panel Enclosure
- Intergrated Soft Starting
- VPI Windings and inverter Rated.
- Sealed Ball Bearings
- 10 Year Warranty
- 24/7 Customer Support

Sales and Support
800-417-6568