

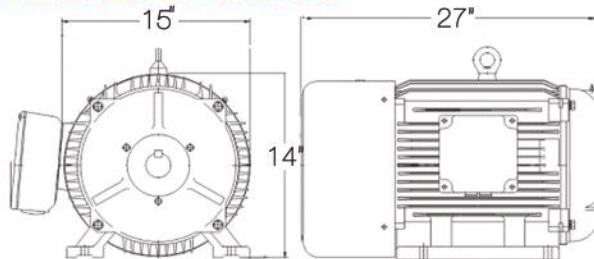


30 HP Rotary Phase Converter Precision Balanced Voltage Single to Three Phase Converter

General Specifications

Horsepower:	30 hp
Kilo-watt (kw):	21.4
Frequency (Hz):	50/60
Generator Enclosure:	TEFC
Generator Frame:	286T

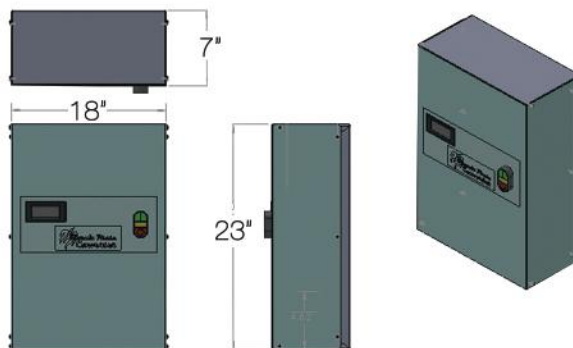
Generator Dimensions



Single Phase Electrical Specs

Voltage Input:	230 460
Min. Fuse Size:	50 - 25
Min. Circuit Breaker:	50 - 25
Max. Fuse Size:	150 - 75
Max Circuit Breaker:	150 - 75
Minimum Size Transformer:	37.5 KVA
Minimum Wire Size	2 - 4 AWG

Panel Dimensions



Three Phase Electrical Specs

Voltage Output:	230 - 460
Output Amperage:	80 - 40
Voltage Balance:	2-5%
Minium Wire to Generator:	3 - 6 AWG
Minimum Wire to Load:	based on load
Max Resistive Amps:	42 - 21

Dimensions and weights

Generator	513 lbs
Generator Dimensions	27x15.5x14.7
Panel Weight:	43 lbs
Panel Dimensions (LxWxD) inches:	23x18x7
Panel Color:	Blue-Gray

Options;

- Push Button Start
- Nema 3R Panel
- Voltmeter Display
- Digitally Protected

Standard;

- CNC Precision Balanced Voltage
- Totally Enclosed Fan Cooled Generator
- Cast Iron
- Custom Panel Enclosure
- Intergrated Soft Starting
- VPI Windings and inverter Rated.
- Sealed Ball Bearings
- 10 Year Warranty
- 24/7 Customer Support

Sales and Support
800-417-6568