

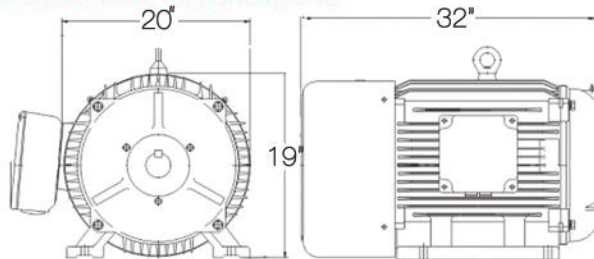


75 HP Rotary Phase Converter Precision Balanced Voltage Single to Three Phase Converter

General Specifications

Horsepower:	75 hp
Kilo-watt (kw):	56
Frequency (Hz):	50/60
Generator Enclosure:	TEFC
Generator Frame:	365T

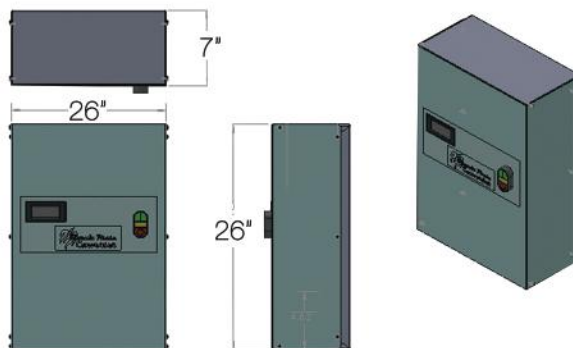
Generator Dimensions



Single Phase Electrical Specs

Voltage Input:	230-460
Min. Fuse Size:	125 - 60
Min. Circuit Breaker:	125 - 60
Max. Fuse Size:	350 - 175
Max Circuit Breaker:	350 - 175
Minimum Size Transformer:	100 KVA
Minimum Wire Size	4/0 - 2/0 AWG

Panel Dimensions



Three Phase Electrical Specs

Voltage Output:	230-460
Output Amperage:	182 - 91
Voltage Balance:	2-5%
Min Wire to Generator:	1/0 - 2 AWG
Min Wire to Load:	based on load
Max Resistive Amps:	105 - 52.5

Dimensions and weights

Generator	790 lbs
Generator Dimensions	32x20x19
Panel Weight:	80 lbs
Panel Dimensions (LxWxD) inches:	26x26x7
Panel Color:	Blue-Gray

Options;

- Push Button Start
- Nema 3R Panel
- Voltmeter Display
- Digitally Protected

Standard;

- CNC Precision Balanced Voltage
- Totally Enclosed Fan Cooled Generator
- Cast Iron
- Custom Panel Enclosure
- Intergrated Soft Starting
- VPI Windings and inverter Rated.
- Sealed Ball Bearings
- 10 Year Warranty
- 24/7 Customer Support

Sales and Support
800-417-6568