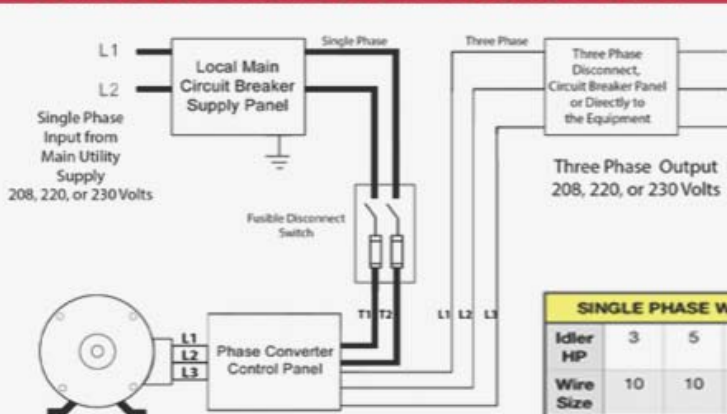
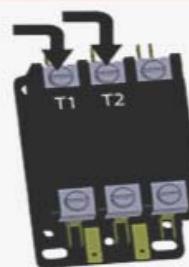


Push Button with Built in Stators Models



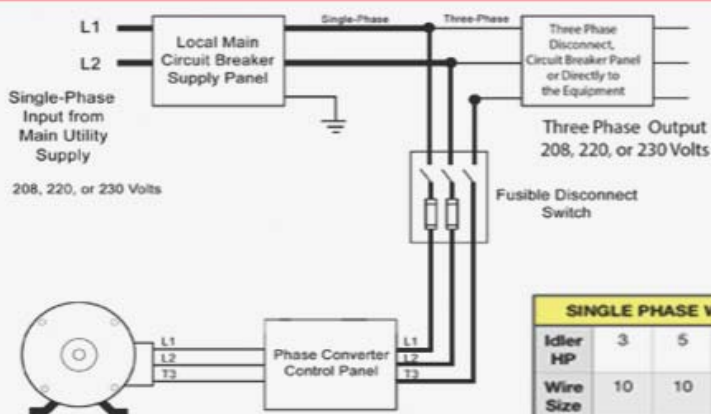
Single Phase Input 220 Volts



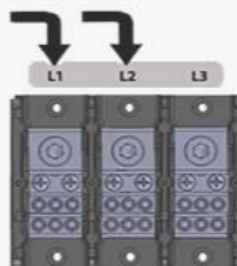
PUSH BUTTON MODELS ONLY

SINGLE PHASE WIRE SIZE - INCREASE WIRE SIZE FOR EVERY 50 FEET AND ROUND UP													
Idle HP	3	5	7.5	10	15	20	25	30	40	50	60	75	100
Wire Size	10	10	8	6	4	4	2	2	1/0	2/0	3/0	4/0	300

Without Push Button Models



Single Phase Input 220 Volts



NON-PUSH BUTTON MODELS

SINGLE PHASE WIRE SIZE - INCREASE WIRE SIZE FOR EVERY 50 FEET AND ROUND UP													
Idle HP	3	5	7.5	10	15	20	25	30	40	50	60	75	100
Wire Size	10	10	8	6	4	4	2	2	1/0	2/0	3/0	4/0	300

For Both Models

Important Guide Lines of Installation

- Note**
1. If the phase converter doesn't come up to speed in 2 to 3 seconds, TURN IT OFF!!
 2. All loads including transformers must be disconnected or in the off position before starting the converter each time.
 3. Do NOT bolt the idler motor directly to the floor, it is recommended that some form of anti-vibration or rubber pad is between the idler motor and the floor.
 4. Magnetic controls, single phase loads, or resistive loads must be energized by L1 and L2, never connect power, grounds, or neutral wires to L3.
 5. Make sure the wire size meets our minimum recommendation.



WARNING
Make sure the idler motor, and phase converter panel and your equipment are properly grounded.

Install Proper Breaker Size



Important
Breaker size should be 2 time full load of the three phase equipment

PROPER SINGLE PHASE BREAKER SIZE		
Idle HP	MIN	MAX
3	10	25
5	15	30
7.5	20	40
10	20	50
15	30	80
20	40	100
25	40	125
30	50	150
40	60	200
50	80	250
60	100	300
75	125	350
100	150	400

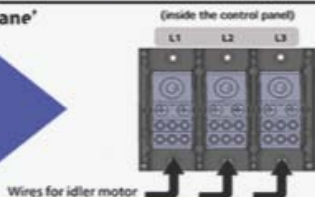
Download our app for video's, tech support, installation help live help.



Scan QR Code for step by step support

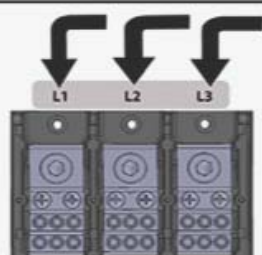


Connecting Idler/Generator to Control Panel



IDLER MOTOR WIRE - INCREASE WIRE SIZE FOR EVERY 50 FEET AND ROUND UP													
Idle HP	3	5	7.5	10	15	20	25	30	40	50	60	75	100
Wire Size	12	12	10	8	8	6	4	3	3	2	1	1/0	2/0

- Connect idler motor for LOW voltage the diagram is located on the name plate or inside the connection box of the idler/generator
- Connect the three phase line from the idler motor to the bottom side of the terminal block labeled L1, L2, and L3.
- Properly ground the idler/generator to the control panel backplate



To Load, Three Phase Disconnect, or Three Phase Breaker Panel

Note
Using the the proper wire size is based on your load, always use a disconnect before any loads including transformers. Never turn on the phase converter with your load in the ON